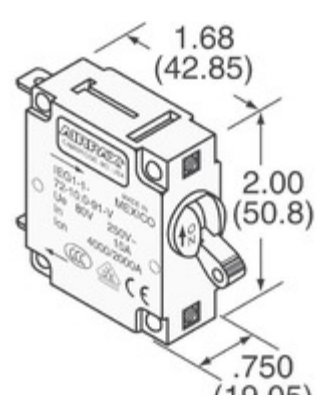


IEG1-31724-8-V



Images are for reference only.
See Product Specifications for product details.
Buy IEG1-31724-8-V with confidence from Component-World.HK, 1 Year Warranty



Part Number: [IEG1-31724-8-V](#)
Manufacturer: [Sensata Technologies, Airpax](#)
Description: CIR BRKR MAG-HYDR LEVER
Data sheet: [IEG,IUG,IUG,IEG,CEG,LEG Series Datasheet](#)

RoHS Status: Lead free / RoHS Compliant
Ship From: Hong Kong
Shipment Way: DHL/Fedex/TNT/UPS/EMS

[Request For Quotation](#)

PRODUCT PARAMETER

Part Number	IEG1-31724-8-V	Manufacturer	Sensata Technologies, Airpax
Description	CIR BRKR MAG-HYDR LEVER	Lead Free Status / RoHS Status	Lead free / RoHS Compliant
Quantity Available	3522 pcs	Data sheet	IAG,IUG,IEG,CEG,LEG Series Datasheet
Category	Circuit Protection	Series	IEG
Number of Poles	1	Mounting Type	Panel Mount
Moisture Sensitivity Level (MSL)	1 (Unlimited)	Manufacturer Standard Lead Time	6 Weeks
Lead Free Status / RoHS Status	Lead free / RoHS Compliant	Illumination Voltage (Nominal)	-
Illumination	-	Current Rating	-
Breaker Type	Magnetic (Hydraulic Delay)	Actuator Type	Lever

Component-World.com is a Reliable Stocking Distributor of Electronic Components. We specialize in all Sensata Technologies, Airpax series electronic components. We have 3522 pieces of Sensata Technologies, Airpax IEG1-31724-8-V in stock available now. Request a quote from electronics components distributor at Component-World.com, our sales team will contact you within 24 hours.

RFQ Email: info@Components-World.com

RELATED PRODUCTS

	Part#: IEG1-31322-15 Description: CIR BRKR MAG-HYDR LEVER	Manufacturers: Sensata Technologies, Airpax	RFQ
	Part#: IEG1-31717-1-V Description: CIR BRKR MAG-HYDR LEVER	Manufacturers: Sensata Technologies, Airpax	RFQ
	Part#: IEG1-31724-7-V Description: CIR BRKR MAG-HYDR LEVER	Manufacturers: Sensata Technologies, Airpax	RFQ
	Part#: IEG1-31724-5-V Description: CIR BRKR MAG-HYDR LEVER	Manufacturers: Sensata Technologies, Airpax	RFQ
	Part#: IEG1-33079-1-V Description: CIR BRKR MAG-HYDR LEVER	Manufacturers: Sensata Technologies, Airpax	RFQ
	Part#: IEG1-32982-2-V Description: CIR BRKR MAG-HYDR LEVER	Manufacturers: Sensata Technologies, Airpax	RFQ
	Part#: IEG1-31322-30 Description: CIR BRKR MAG-HYDR LEVER	Manufacturers: Sensata Technologies, Airpax	RFQ
	Part#: IEG1-32752-1-V Description: CIR BRKR MAG-HYDR LEVER	Manufacturers: Sensata Technologies, Airpax	RFQ
	Part#: IEG1-31322-5 Description: CIR BRKR MAG-HYDR LEVER	Manufacturers: Sensata Technologies, Airpax	RFQ
	Part#: IEG1-31724-6-V Description: CIR BRKR MAG-HYDR LEVER	Manufacturers: Sensata Technologies, Airpax	RFQ
	Part#: IEG1-32852-15-V Description: CIR BRKR MAG-HYDR LEVER	Manufacturers: Sensata Technologies, Airpax	RFQ
	Part#: IEG1-30651-1-V Description: CIR BRKR MAG-HYDR LEVER	Manufacturers: Sensata Technologies, Airpax	RFQ
	Part#: IEG1-32994-4-V Description: CIR BRKR MAG-HYDR LEVER	Manufacturers: Sensata Technologies, Airpax	RFQ
	Part#: IEG1-31716-1-V Description: CIR BRKR MAG-HYDR LEVER	Manufacturers: Sensata Technologies, Airpax	RFQ
	Part#: IEG1-31724-4-V Description: CIR BRKR MAG-HYDR LEVER	Manufacturers: Sensata Technologies, Airpax	RFQ
	Part#: IEG1-32852-20-V Description: CIR BRKR MAG-HYDR LEVER	Manufacturers: Sensata Technologies, Airpax	RFQ
	Part#: IEG1-32852-5-V Description: CIR BRKR MAG-HYDR LEVER	Manufacturers: Sensata Technologies, Airpax	RFQ
	Part#: IEG1-32852-10-V Description: CIR BRKR MAG-HYDR LEVER	Manufacturers: Sensata Technologies, Airpax	RFQ
	Part#: IEG1-32489-5-V Description: CIR BRKR MAG-HYDR LEVER	Manufacturers: Sensata Technologies, Airpax	RFQ
	Part#: IEG1-32982-1-V Description: CIR BRKR MAG-HYDR LEVER	Manufacturers: Sensata Technologies, Airpax	RFQ

Related keywords for IEG1-31724-8-V

Sensata Technologies, Airpax IEG1-31724-8-V	IEG1-31724-8-V distributor	IEG1-31724-8-V supplier	IEG1-31724-8-V price
IEG1-31724-8-V download datasheet	IEG1-31724-8-V datasheet	IEG1-31724-8-V stock	buy IEG1-31724-8-V
Sensata Technologies, Airpax IEG1-31724-8-V	Sensata Technologies/Airpax IEG1-31724-8-V		